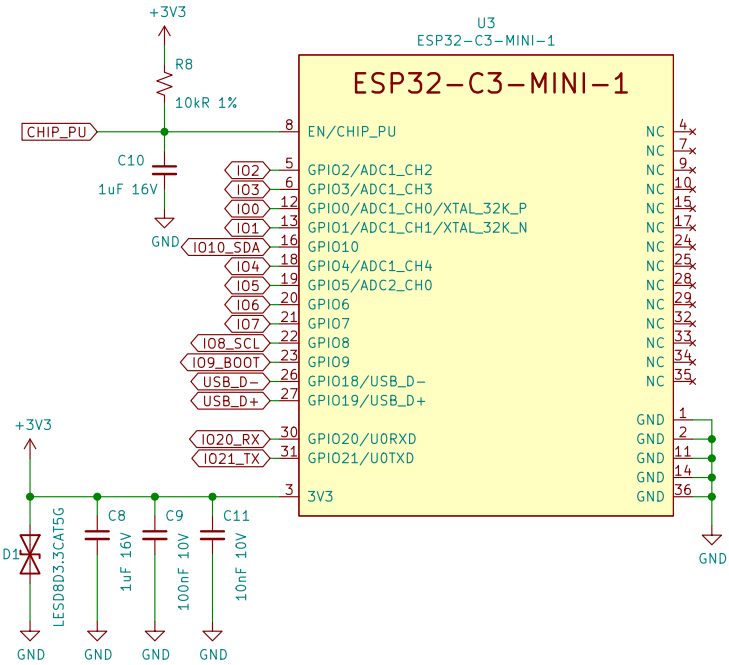
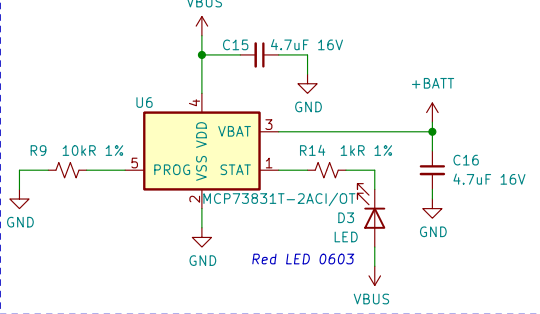


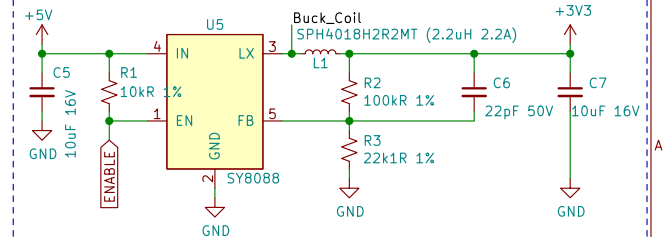
ESP32-C3-MINI-1 Module



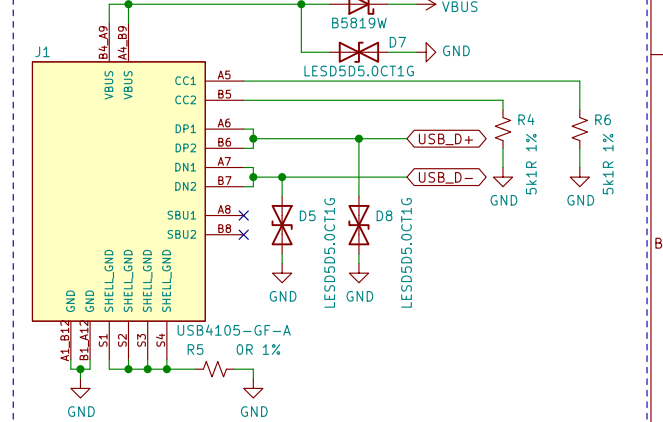
Li-Ion Charge Management Controller



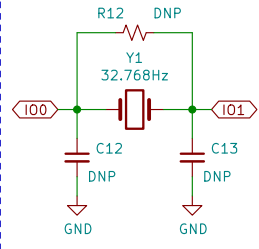
DC/DC Buck Converter 3V3 Rails



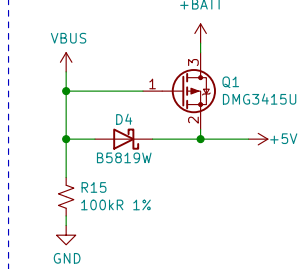
USB Type-C Connector



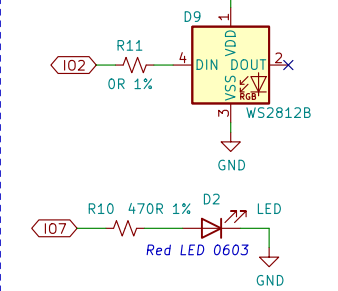
**LF Crystal 32.768Hz
Do Not Populate**



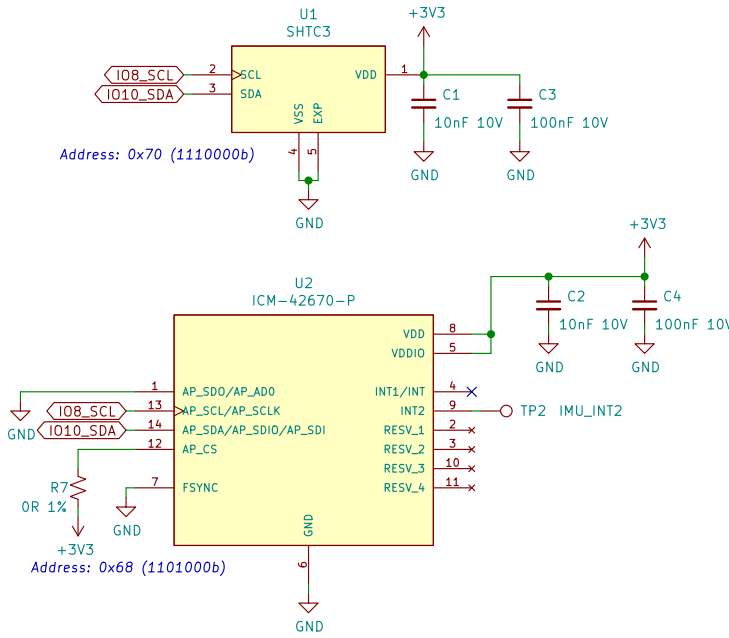
USB & Battery Switch



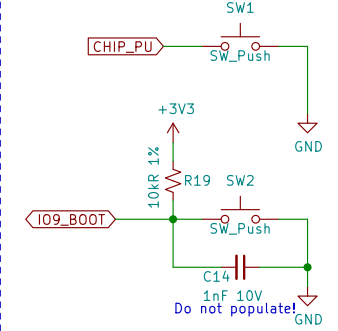
**LED
Regulator on GPIO7
Addressable on GPIO2**



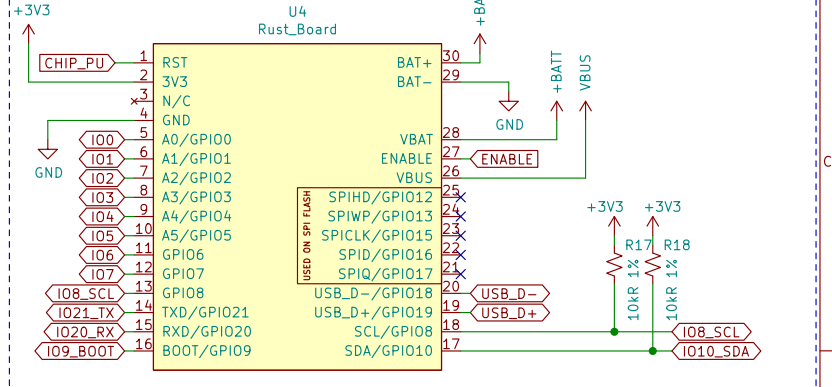
I2C Bus Sensors



Buttons (Reset & Boot)



Board Connectors/Pin layout



ESP32-C3 Development Board for Rust
Espressif

Sheet: /
File: esp-rust-board.kicad_sch

Title: ESP32-C3-DevKit-RUST-1

Size: A4 Date: 2022-04-27

KiCad E.D.A. kicad 6.0.1-79c1e3a40b-116-ubuntu21.04.1

Rev: 1.2a
Id: 1/1

